

# THERMOSTAT

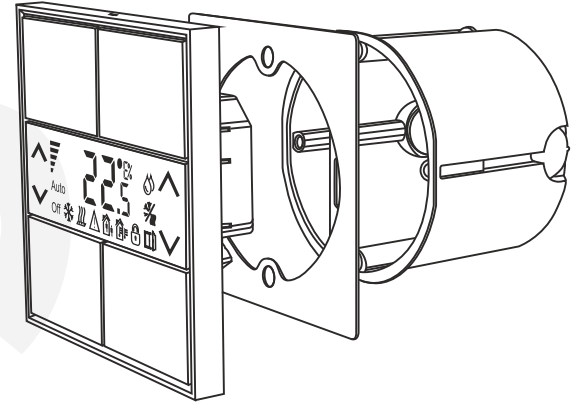
MODELS:

LXT - 202 - XXX

LXT - 204 - XXX

# iLUXUS

Intelligent Luxury Building Solutions



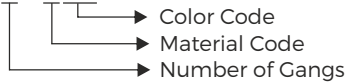
The I-Luxus 2-/4 Gang KNX Thermostat with capacitive touch screen can be used for switching/shutter/blind . HVAC functionality , colling /heating or fan coil control are supported. It has embedded temperature/humidity sensor displayed on the LCD screen. Additionally embedded ambient sensor and light sensor can be added. All parameters can be changed by ETS and send periodically to KNX Bus.

## PRODUCT CHARACTERISTICS

- ▶ Displaying environment humidity and temperature on the screen
- ▶ 4 or 8 integrated push buttons (for 2 or 4 gang models)
- ▶ 4 or 8 status LEDs on the push buttons for feedback of the operations (for 2 or 4 gang models)
- ▶ Switching, dimming, shutter&blind controls, HVAC controls, scenes and value control functions are available with push buttons
- ▶ Comfort, standby and economy modes are selectable
- ▶ Displaying the fan level of HVAC products on the screen
- ▶ Displaying window status with an external magnetic sensor
- ▶ Displaying outside temperature with communication object
- ▶ To be able to lock for all processes with lock icon on the screen
- ▶ Easy installation to 60x60 mm universal mounting box
- ▶ Easy programmable with ETS via programming led and button
- ▶ Zamac metarial type
- ▶ 9 Different colour selections
- ▶ 90 mm x 90 mm (WxH) dimensions
- ▶ 2 years warranty
- ▶ CE and KNX certifications

## PRODUCT CODE DIAGRAM

LXT- 20X - XXX



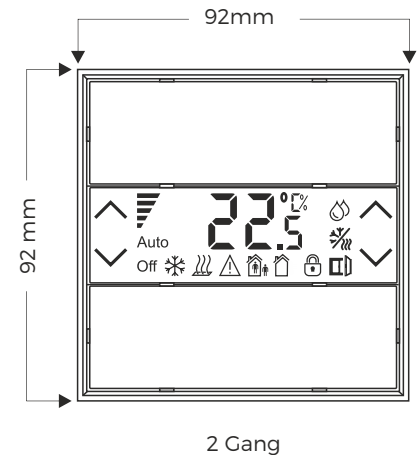
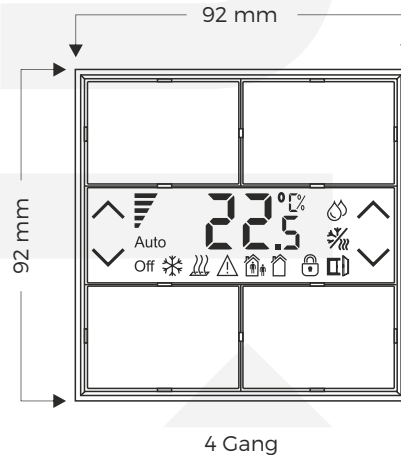
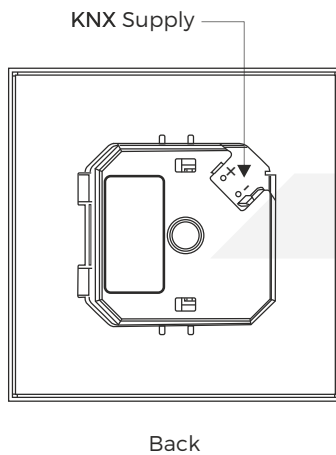
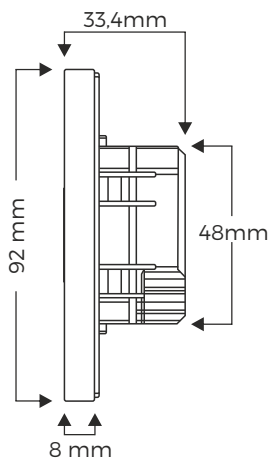
### Material Code

Z → Zamac

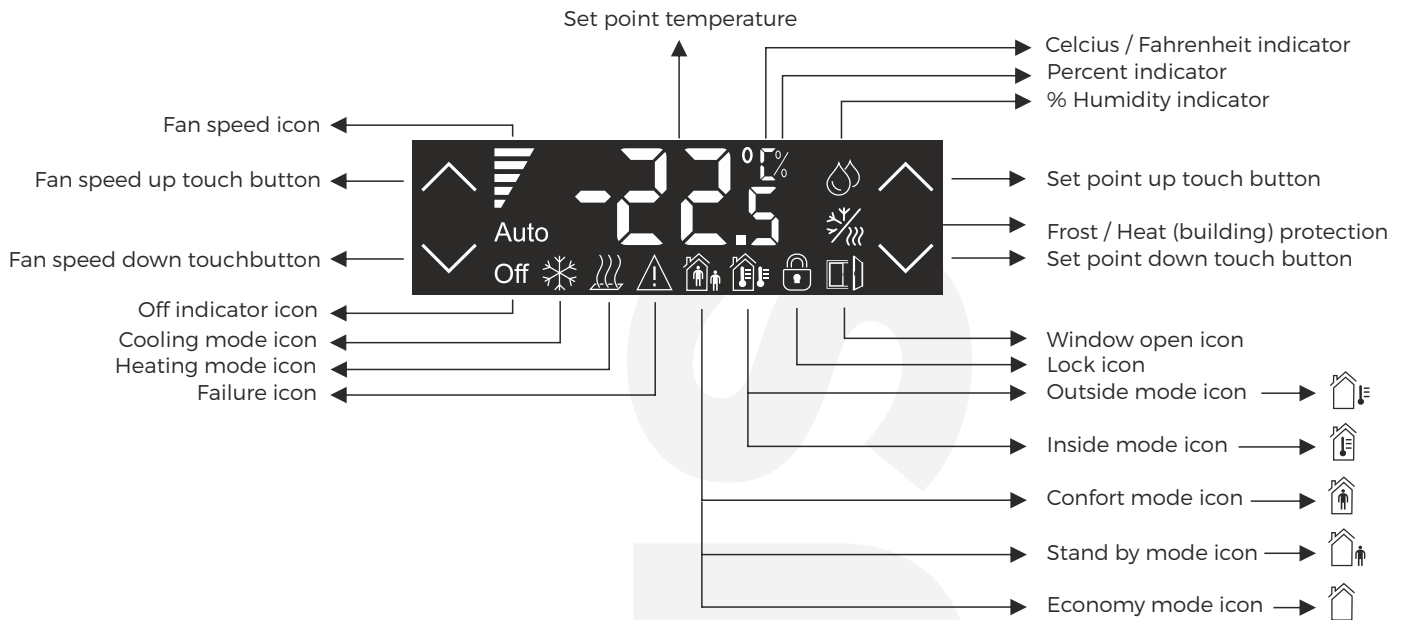
### Color Code

AN	→	Anthracite
WH	→	White
MG	→	Mat Gold
BR	→	Bronze
BS	→	Brushed Steel
CP	→	Copper
OC	→	Old Copper
RN	→	Ruthenium
MR	→	Mat Ruthenium

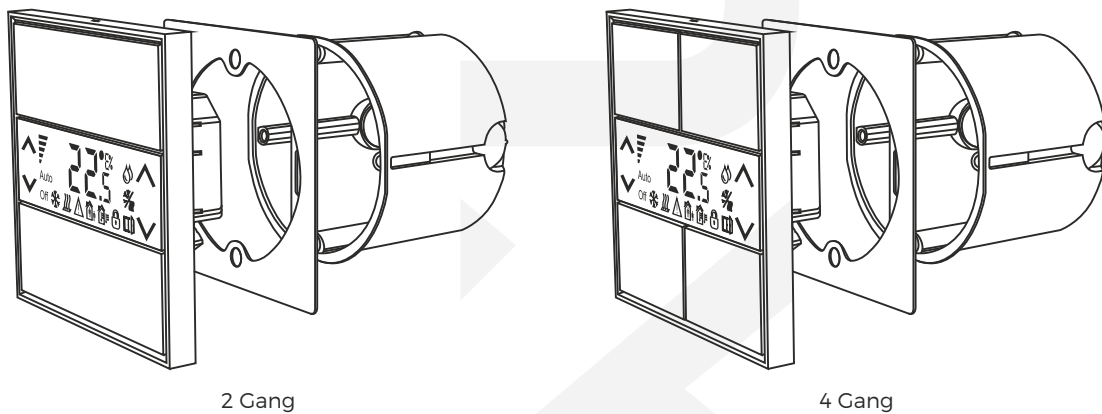
## SCALE DRAWINGS



## LCD ICON DESCRIPTION



## MOUNTING



## TECHNICAL DATA

Type of protection	IP 20	EN 60529
Safety class	II	EN 60664
Models	2 Gang 4 Gang	LXT-202-XXX LXT-204-XXX
Product Detail	Thermostat with 4 push button Thermostat with 8 push button	2 Gang 4 Gang
Power Supply	Voltage	KNX Bus system
External Supply	Current consumption	< 20 mA
Connections	-	0,8 mm <sup>2</sup> Ø, solid core
Modes	KNX Bus connection terminal	
Temperature Measurement	Outside, Inside, Comfort, Standby, Economy	
Humidity Measurement	Range	-5 °C / + 45 °C
Luminosity Measurement	Tolerance	- + 0,2 °C
Installation	Range	%0 - %99
Operating Element	Tolerance	- + %2
Temperature range	Range	0,01 Lux - 64K Lux
Humidity	Tolerance	- + 0,2 Lux
Flammability	60mm x 60mm standart switch junction	
Dimensions	Programming led and button	
Weight	Operation	-5°C / +45°C
Warranty	Storage	-20°C / +70°C
Standarts	Maximum air humidity	85% no moisture condensation
Certification	Non-flammable product	
	92 x 92 x 33,4mm	
	2 Years	
	EN 50491	
	EN 61000	
	KNX Certified	